

T37 SERIES

N Series: T-Bolt Metal Drawer Lock

*The industry's first easily rekeyable
T-bolt lock for metal bank drawers
Directly replaces National C8137*

SPECIFICATIONS

Keying: Can be keyed together with other
N Series locks

Rekeyable: Working top-slide, cylinder retainer
staple and removable bezel ring make rekeying
fast and easy. No more need to pry off faceplates
and pin retainer clips.

US Patent No: 5,038,589

Standard function: Key removable in locked or
unlocked position.

Retrofits: National C8137

Body: Zinc die cast

Cylinder: Zinc die cast, pin tumbler

Bolt: Stainless steel

Includes: Brass mounting nut. Spring mounting clip
T37-RC is available separately.

Barrel diameter: 3/4"

Across flats: 5/8"

Finish: 26D

Packaged: Packed 10 per box

KEYING INFORMATION

Keyway: N Series (equivalent to National D4291
4-pin system)

Keys: Includes 2 keys per lock

Stock keying: KD/KA - 4 pin standard

Stock KA#: 101, 103, 107, 915 and groups 001
through 030

NEW Stock KA#: 51001, 51002, 51003, 51004,
51005, 51006, 51007, 51008, 51009, 51010

Masterkeyed: 4 pin standard

Keyblank 4-pin: KBN-4-NP
(equivalent to NA14, 1069L)

SPECIAL NOTE ON BOLTS ONLY

The T37-1 (regular bolt) , T37-2 (long bolt) and T37-
3 (short bolt) will not work in the National C8137
lock. However, the C8137 bolts will work in the T37
lock.

OPTIONAL ACCESSORIES

See below.



*Looking for that hard to find
key code for LeFebure, Diebold
or Mosler? We've got you
covered!*

FEATURES

Rekeyable: Working top-slide, cylinder retainer staple and
removable bezel ring make rekeying fast and easy. No more
need to pry off faceplates and pin retainer clips.

Stronger bolt: Our stainless steel bolt will withstand
repeated abuse without breaking.

Retrofits: National C8137.

Mounting: Ships standard with brass fixing nut.


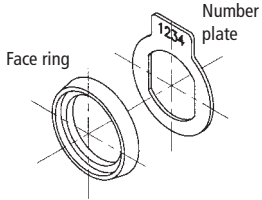
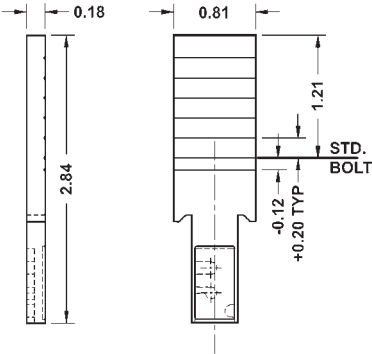
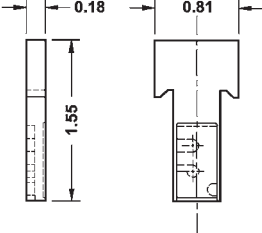
Spring clip: Optional spring clip is available for clip
mounting if desired. The lock comes standard with clip
mounting locations for 0" to 11/64" material thicknesses.

T37 SERIES

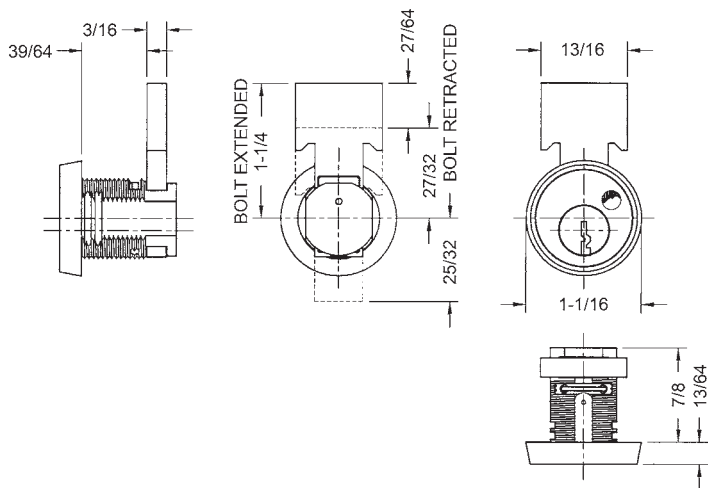
N Series: T-Bolt Metal Drawer Lock

*The industry's first easily rekeyable
T-bolt lock for metal bank drawers
Directly replaces National C8137*

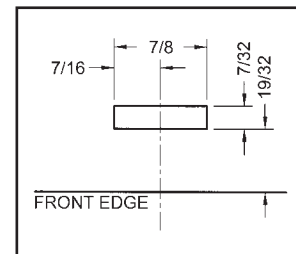
OPTIONAL ACCESSORIES - See our website for a complete list of optional components.

			
<p>T37-RC Spring mounting clip</p> <p>The lock comes standard with clip mounting locations up to 11/64" material thicknesses.</p>	<p>T37-NKIT Number plate kit eliminates need to stamp face of lock</p> <p>Replacement number plates also available separately (Use part no. T37DC-NP).</p>	<p>T37-2 Long bolt can be cut to length required by application</p>	<p>T37-3 Short bolt for 25/32" backset</p>

DIMENSIONS | TYPICAL INSTALLATION



DRAWER DETAIL



MOUNTING HOLE DETAIL

